

Duesenberg No. 020

Satin Aluminum
Stainless Steel Rods
Clear Frosted Glass
White Sandblasted Glass

Limited Edition
Available through Duesenberg LTD.
duesenbergltd.com

MADE IN USA SINCE 1981

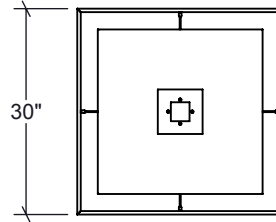
DESIGNED AND MANUFACTURED IN NEW YORK, EVERY DAY SINCE 1981

for modifications and customization
INQUIRE@AMERICANGLASSLIGHT.COM

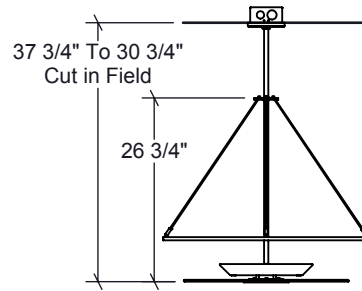
Copyright© 2015 The American Glass Light Company®.
All rights reserved.

We reserve the right to change specifications at anytime.

American Glass Light is a certified WBE company



*NOTE: Electrician to supply and install:
4 11/16" x 2" deep **SQUARE**
J-Box to accommodate dimming driver.



DUESENBERG No. 020
30" PENDANT
D-020-P-24

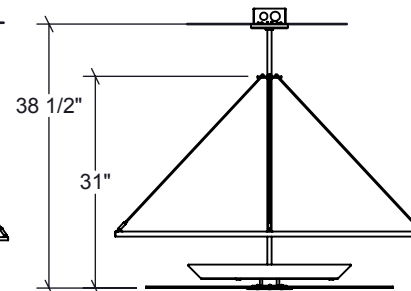
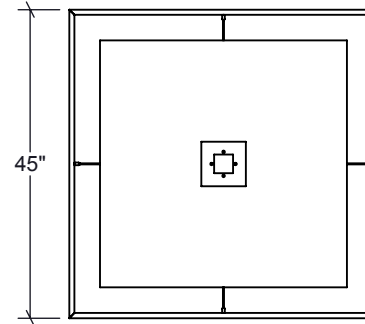
LED

25 Watt, 2800 Source Lumens
Field Replaceable LED Module

80+ CRI

3000K Standard Color Temperature
(2700K, 3500K By Special Order
Minimum Quantities Required)

*120/277 Input Voltage
0-10V Dimming Standard



DUESENBERG No. 020
45" PENDANT
D-020-P-36

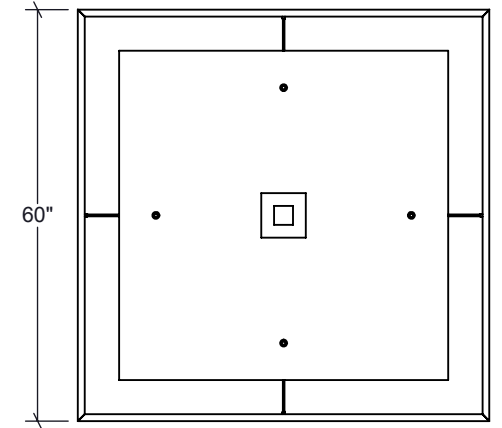
LED

38 Watt, 3050 Source Lumens
Field Replaceable LED Module

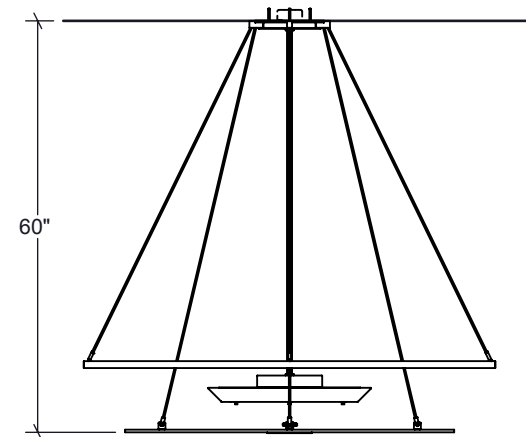
80+ CRI

3000K Standard Color Temperature
(3500K, 4000K By Special Order
Minimum Quantities Required)

*120/277 Input Voltage
0-10V Dimming Standard



*NOTE: Electrician to supply and install:
4" **Octagon** J-Box



DUESENBERG No. 020
60" PENDANT
D-020-P-48

LED

75 Watt, 5600 Source Lumens
Field Replaceable LED Module

80+ CRI

3000K Standard Color Temperature
(3500K, 4000K By Special Order
Minimum Quantities Required)

*120/277 Input Voltage
0-10V Dimming Standard