



BRAE ROUND

Satin Aluminum
Stainless Steel Rods
Clear Frosted Glass
White Sandblasted Glass

MADE IN **USA** SINCE 1981

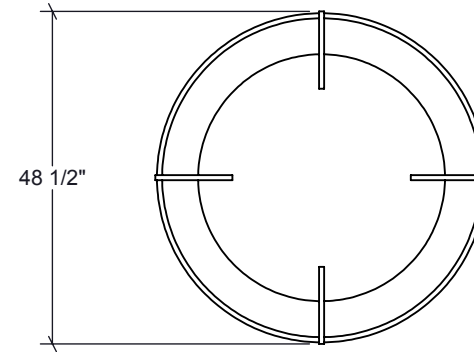
DESIGNED AND MANUFACTURED IN NEW YORK, EVERY DAY SINCE 1981

for modifications and customization
INQUIRE@AMERICANGLASSLIGHT.COM

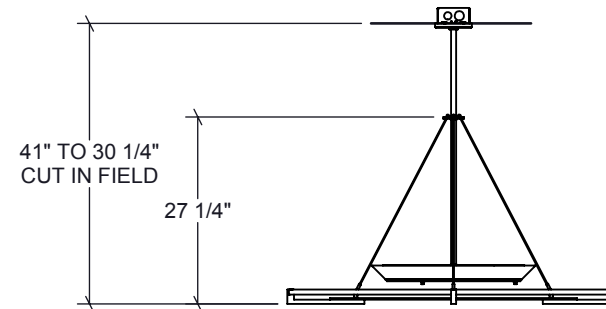
Copyright© 2015 The American Glass Light Company®.
All rights reserved.

We reserve the right to change specifications at anytime.

American Glass Light is a certified WBE company



*NOTE: Electrician to supply and install:
4 11/16" x 2" deep **SQUARE**
J-Box to accommodate dimming driver.



BRAE ROUND 48" PENDANT 381-P-36

LED

38 Watt, 3050 Source Lumens
Field Replaceable LED Module

3000K Standard Color Temperature, 80+ CRI

Alternate Color Temperatures
By Special Order.
Wattage and Lumens will vary
from Standard.

*120/277 Input Voltage
0-10V Dimming Standard