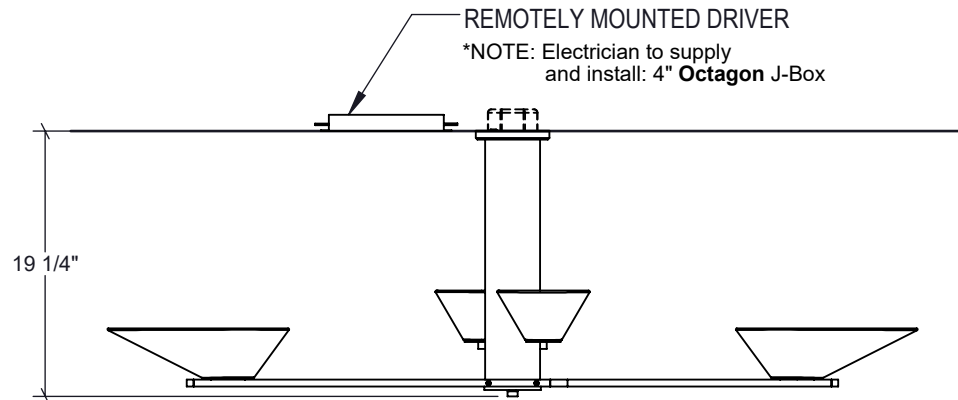
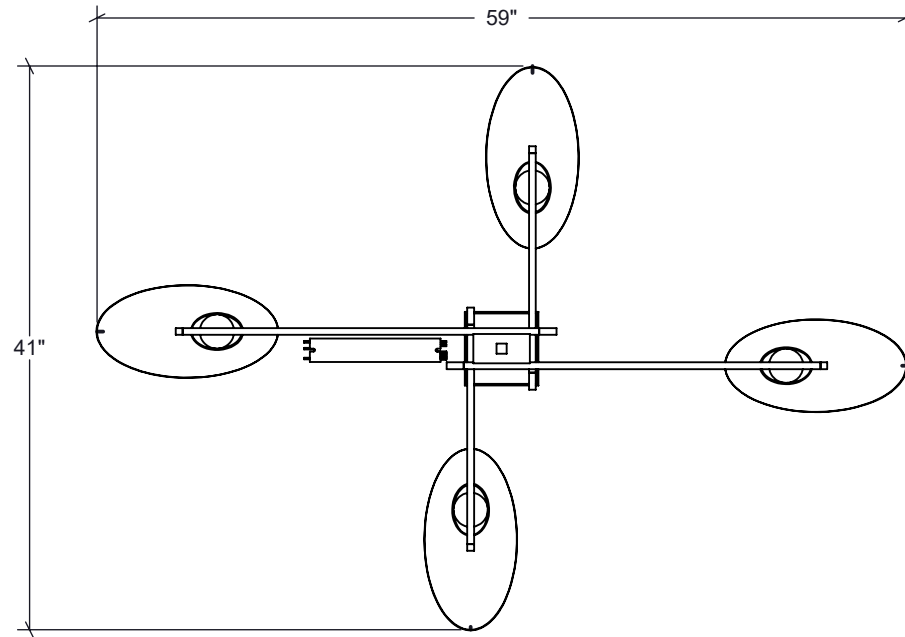


## MODE

Satin Aluminum  
Red, Blue, Yellow Colors  
White Opal Glass



### MODE 30" PENDANT 422-P-18.75

**LED**

38 Watt, 3460 Source Lumens  
Field Replaceable LED Module

3000K Standard Color Temperature, 80+ CRI

Alternate Color Temperatures  
By Special Order.  
Lumens will vary  
from Standard.

\*120/277 Input Voltage  
0-10V Dimming Standard

MADE IN **USA** SINCE 1981

DESIGNED AND MANUFACTURED IN NEW YORK, EVERY DAY SINCE 1981

for modifications and customization  
INQUIRE@AMERICANGLASSLIGHT.COM

Copyright© 2016 The American Glass Light Company®.  
All rights reserved.

We reserve the right to change specifications at anytime.

American Glass Light is a certified WBE company