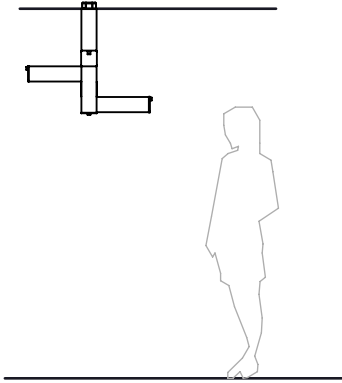




**TERRACE**

Satin Aluminum  
Clear Frosted Glass  
White Opal Glass



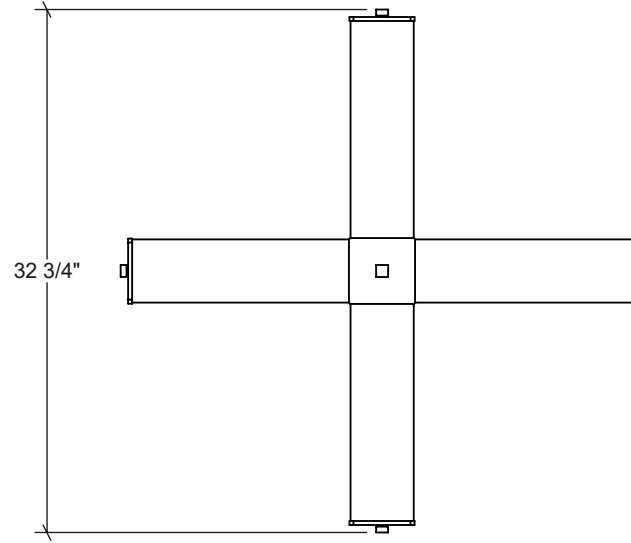
MADE IN **USA** SINCE 1981

DESIGNED AND MANUFACTURED IN NEW YORK, EVERY DAY SINCE 1981

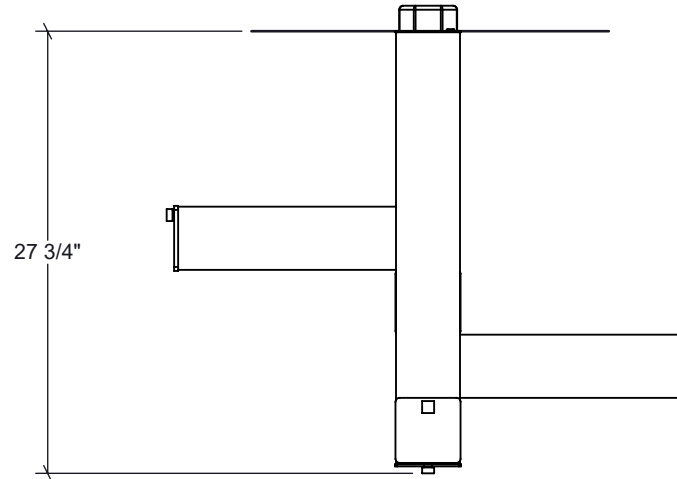
for modifications and customization  
INQUIRE@AMERICANGLASSLIGHT.COM

Copyright© 2016 The American Glass Light Company®.  
All rights reserved.  
We reserve the right to change specifications at anytime.

American Glass Light is a certified WBE company



\*NOTE: Electrician to supply  
and install: 4" **Octagon** J-Box



**TERRACE**  
**27" PENDANT**  
**408-P-27**

**LED**

38 Watt, 2250 Source Lumens  
Field Replaceable LED Module

3000K Standard Color Temperature, 80+ CRI

Alternate Color Temperatures  
By Special Order.  
Wattage and Lumens will vary  
from Standard.

\*120/277 Input Voltage  
0-10V Dimming Standard