



BUTTERFLY

Satin Aluminum
White Opal Glass
Clear Frosted Glass

MADE IN **USA** SINCE 1981

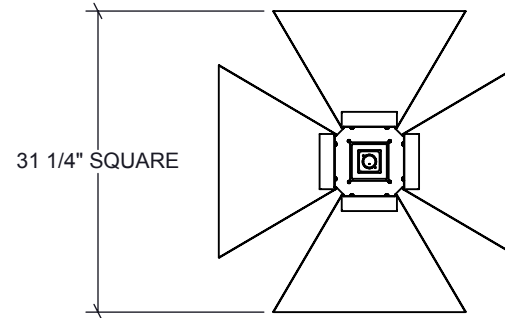
DESIGNED AND MANUFACTURED IN NEW YORK, EVERY DAY SINCE 1981

for modifications and customization
INQUIRE@AMERICANGLASSLIGHT.COM

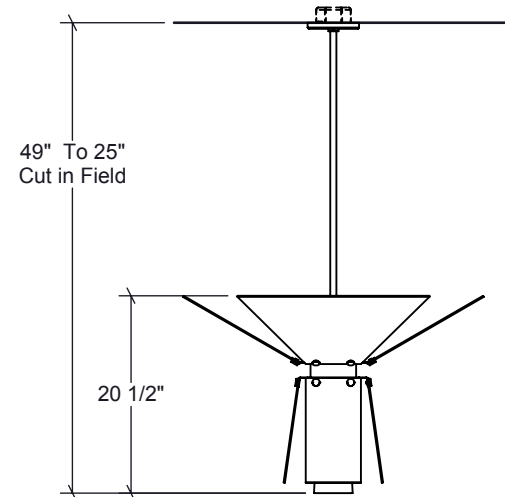
Copyright© 2016 The American Glass Light Company®.
All rights reserved.

We reserve the right to change specifications at anytime.

American Glass Light is a certified WBE company



*NOTE: Electrician to supply
and install: 4" **Octagon** J-Box



BUTTERFLY PENDANT 176-P-36-UP-403-P

TOP LED

12 Watt, 1000 Source Lumens
Field Replaceable LED Module

BOTTOM LED

12 Watt, 865 Source Lumens
Field Replaceable LED Module

3000K Standard Color Temperature, 80+ CRI

Alternate Color Temperatures
By Special Order.
Lumens will vary
from Standard.

*120/277 Input Voltage
0-10V Dimming Standard