



TURNSTILE

Satin Aluminum
White Opal Glass

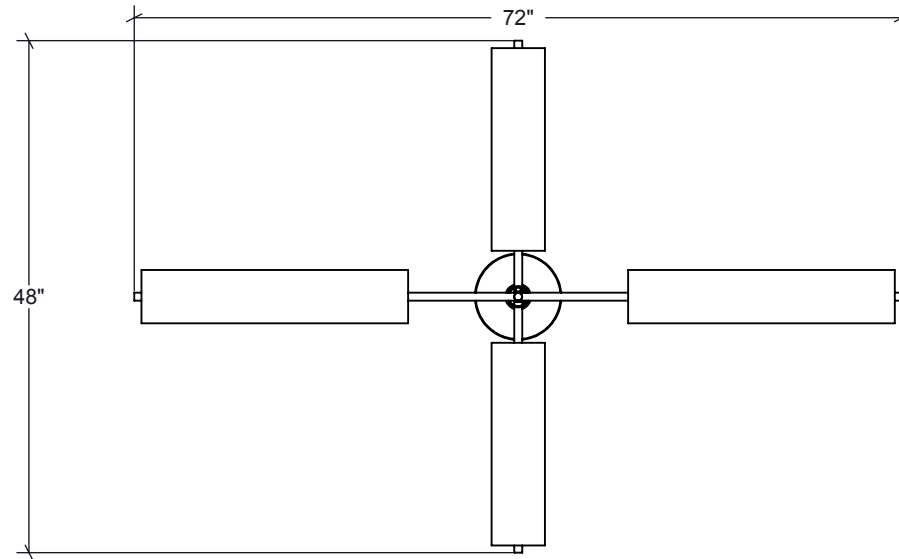
MADE IN **USA** SINCE 1981

DESIGNED AND MANUFACTURED IN NEW YORK, EVERY DAY SINCE 1981

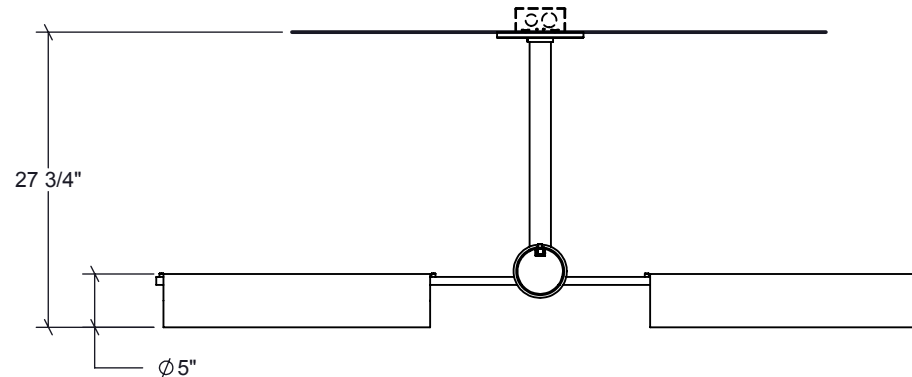
for modifications and customization
INQUIRE@AMERICANGLASSLIGHT.COM

Copyright© 2016 The American Glass Light Company®.
All rights reserved.
We reserve the right to change specifications at anytime.

American Glass Light is a certified WBE company



*NOTE: Electrician to supply and install:
4 11/16" x 2" deep **SQUARE**
J-Box to accommodate dimming driver.



TURNSTILE PENDANT 404-P-RD

LED

38 Watt, 1500 Source Lumens
Field Replaceable LED Modules

3000K Standard Color Temperature, 80+ CRI

Alternate Color Temperatures
By Special Order.
Lumens will vary
from Standard.

*120/277 Input Voltage
0-10V Dimming Standard