



SPACESHIP II

Satin Aluminum
White Sandblasted Glass

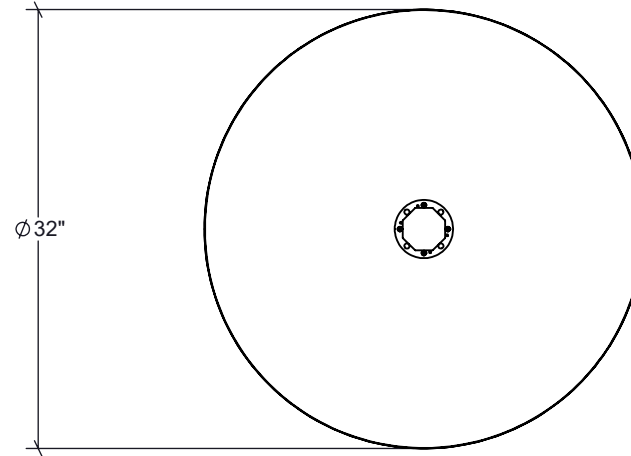
MADE IN **USA** SINCE 1981

DESIGNED AND MANUFACTURED IN NEW YORK, EVERY DAY SINCE 1981

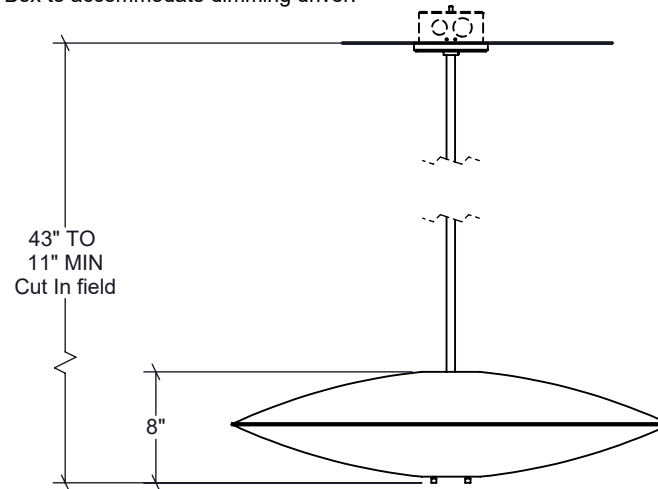
for modifications and customization
INQUIRE@AMERICANGLASSLIGHT.COM

Copyright© 2016 The American Glass Light Company®.
All rights reserved.
We reserve the right to change specifications at anytime.

American Glass Light is a certified WBE company



*NOTE: Electrician to supply and install:
4 11/16" x 2" deep **SQUARE**
J-Box to accommodate dimming driver.



SPACESHIP II 32" PENDANT 419-P-32

LED

38 Watt, 3050 Source Lumens
Field Replaceable LED Module

3000K Standard Color Temperature, 80+ CRI

*120/277 Input Voltage
0-10V Dimming Standard

Alternate Color Temperatures
By Special Order.
Wattage and Lumens will vary
from Standard.