

ZIGG

Satin Aluminum
White Opal Glass

MADE IN **USA** SINCE 1981

DESIGNED AND MANUFACTURED IN NEW YORK, EVERY DAY SINCE 1981

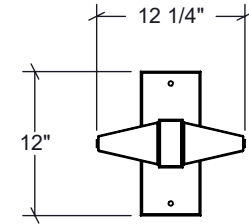
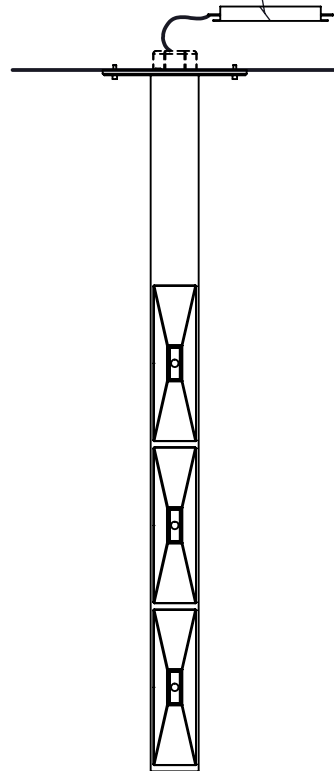
for modifications and customization
INQUIRE@AMERICANGLASSLIGHT.COM

Copyright© 2016 The American Glass Light Company®.
All rights reserved.

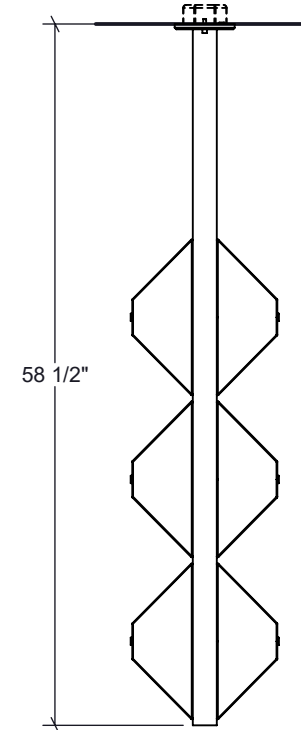
We reserve the right to change specifications at anytime.

American Glass Light is a certified WBE company

REMOTE MOUNTED DRIVER



*NOTE: Electrician to supply
and install: 4" **Octagon** J-Box



ZIGG PENDANT 420-P-6

LED

75 Watt, 3000 Source Lumens
Field Replaceable LED Module

3000K Standard Color Temperature, 80+ CRI

Alternate Color Temperatures
By Special Order.
Wattage and Lumens will vary
from Standard.

*120/277 Input Voltage
0-10V Dimming Standard