

THE AMERICAN GLASS LIGHT COMPANY®



**INCA IV**

Satin Aluminum  
Satin Stainless Steel Rods  
White Sandblasted Glass

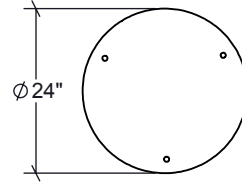
MADE IN **USA** SINCE 1981

DESIGNED AND MANUFACTURED IN NEW YORK, EVERY DAY SINCE 1981

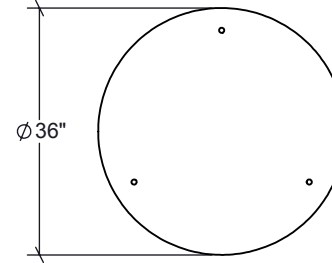
for modifications and customization  
INQUIRE@AMERICANGLASSLIGHT.COM

Copyright© 2013 The American Glass Light Company®.  
All rights reserved.  
We reserve the right to change specifications at anytime.

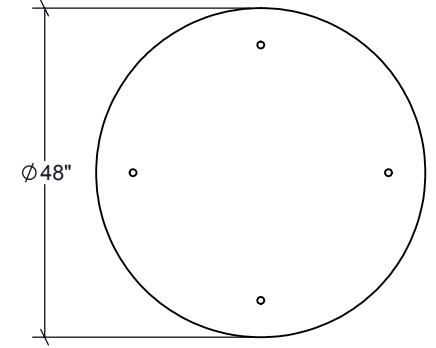
American Glass Light is a certified WBE company



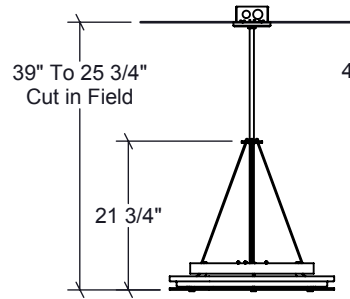
\*NOTE: Electrician to supply and install:  
4 11/16" x 2" deep **SQUARE**J-Box to  
accommodate dimming driver.



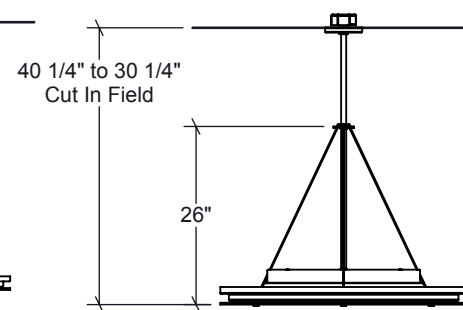
\*NOTE: Electrician to supply  
and install:  
4" **Octagon** J-Box



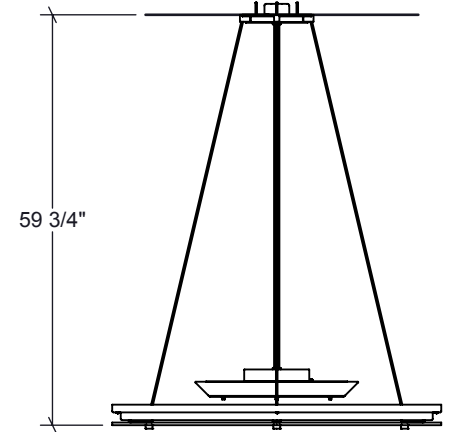
\*NOTE: Electrician to supply  
and install:  
4" **Octagon** J-Box



**INCA IV**  
24" PENDANT  
**363-P-24**



**INCA IV**  
36" PENDANT  
**363-P-36**



**INCA IV**  
48" PENDANT  
**363-P-48**

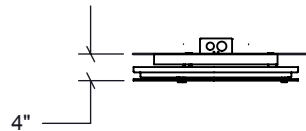
**LED**

75 Watt, 5600 Source Lumens  
Field Replaceable LED Module

3000K Standard Color Temperature, 80+ CRI

Alternate Color Temperatures  
By Special Order.  
Wattage and Lumens will vary  
from Standard.

\*120/277 Input Voltage  
0-10V Dimming Standard



**INCA IV**  
24" FLUSH MOUNT  
**363-FL-24**

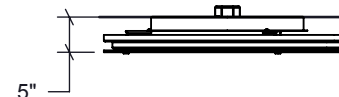
**LED**

38 Watt, 3400 Source Lumens  
Field Replaceable LED Module

2700K Standard Color Temperature, 90+ CRI

Alternate Color Temperatures  
By Special Order.  
Wattage and Lumens will vary  
from Standard.

\*120/277 Input Voltage  
0-10V Dimming Standard



**INCA IV**  
36" FLUSH MOUNT  
**363-FL-36**

**LED**

75 Watt, 7400 Source Lumens  
Field Replaceable LED Module

3000K Standard Color Temperature, 80+ CRI

Alternate Color Temperatures  
By Special Order.  
Wattage and Lumens will vary  
from Standard.

\*120/277 Input Voltage  
0-10V Dimming Standard