

THE AMERICAN GLASS LIGHT COMPANY®



SYDNEY

Satin Aluminum
White Opal Glass

MADE IN **USA** SINCE 1981

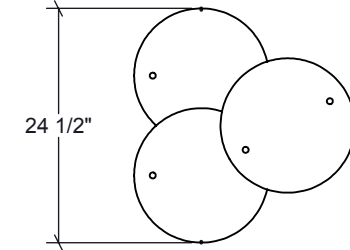
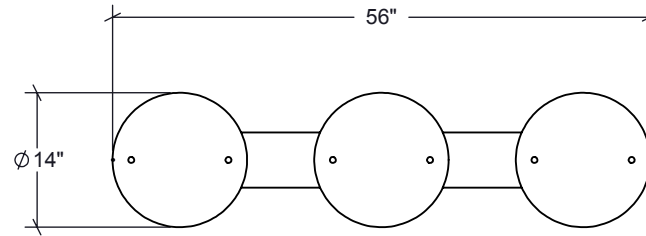
DESIGNED AND MANUFACTURED IN NEW YORK, EVERY DAY SINCE 1981

for modifications and customization
INQUIRE@AMERICANGLASSLIGHT.COM

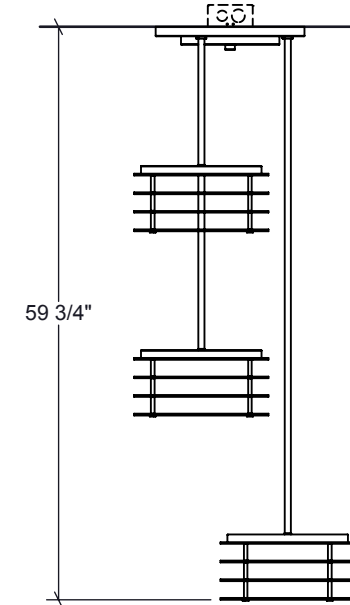
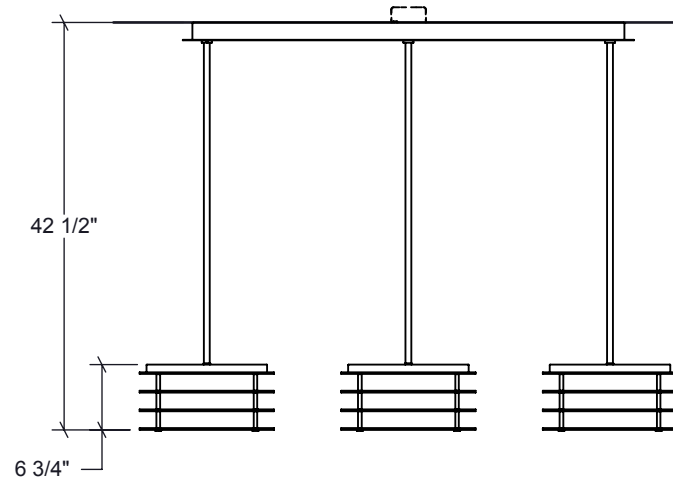
Copyright© 2015 The American Glass Light Company®.
All rights reserved.

We reserve the right to change specifications at anytime.

American Glass Light is a certified WBE company



*NOTE: Electrician to supply
and install: 4" **Octagon** J-Box



**SYDNEY
TRIPLE LINEAR
385-L**

LED

75 Watt, 8,400 Source Lumens
Field Replaceable LED Module

3000K Standard Color Temperature, 80+ CRI

Alternate Color Temperatures
By Special Order.
Wattage and Lumens will vary
from Standard.

*120/277 Input Voltage
0-10V Dimming Standard

**SYDNEY
SYDNEY LANTERN TRIPLE CHANDELIER
385-CH**

LED

75 Watt, 8,400 Source Lumens
Field Replaceable LED Module

3000K Standard Color Temperature, 80+ CRI

Alternate Color Temperatures
By Special Order.
Wattage and Lumens will vary
from Standard.

*120/277 Input Voltage
0-10V Dimming Standard